

EMERGE SCONCE ROXANNE



Frost White
w/ Roxanne Base
Shown approx. 60% actual size.

2 thousandTM
degrees
a brand of **TECH** Lighting



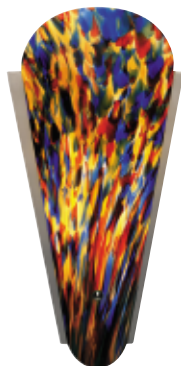
Blue-Violet
w/ Roxanne Base



Ferrari Red
w/ Simple Ball Base



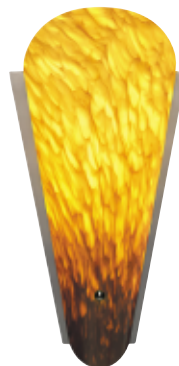
Lime Green
w/ Simple Ball Base



Multicolor
w/ Simple Ball Base



Orange
w/ Simple Ball Base



Tahoe Pine Amber
w/ Simple Ball Base

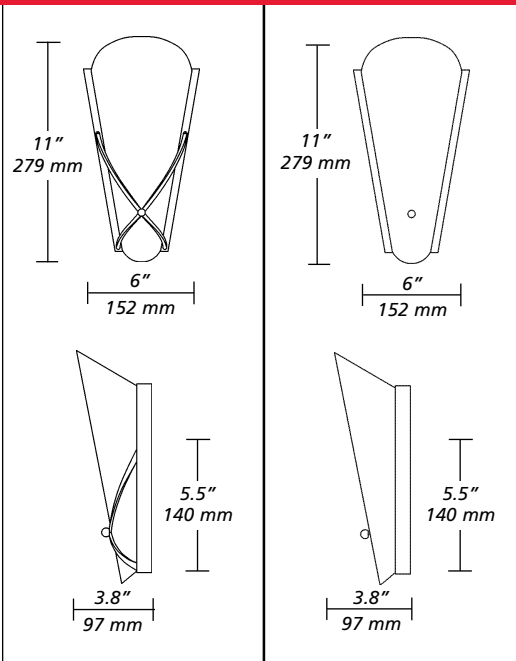


White Frit
w/ Simple Ball Base

EMERGE SCONCE ROXANNE

EMERGE SCONCE ROXANNE

EMERGE SCONCE SIMPLE BALL



DESCRIPTION

Glass shade, richly layered in brilliant color, mounts to a plated base with either a hammered iron crisscross or a simple ball detail. Provides ambient and up-light. ADA compliant.

COLOR

Blue-violet (B), ferrari red (R), frost white (F), lime green (G), multicolor (M), orange (O), tahoe pine amber (A), white frit (W)

FINISH

Bronze brown (Z), satin brass (R), satin nickel (S)

LAMP

Includes halogen, 120 volt, 75 watt T4 mini candelabra base-E11 with Pyrex glass shield. Maximum lamp wattage that can be used with this fixture is 75 watts.

WEIGHT

2.30 lb./1.04 kg.

MODIFICATION OPTIONS AVAILABLE (call for custom quotation):

- Custom finish as specified
- Compact fluorescent lamp. Includes electronic ballast and 13 watt, 3000° K, T4, 2 GX7, single compact fluorescent lamp.

700TDEMS	COLOR	BASE	FINISH
	B BLUE-VIOLET	X ROXANNE	Z BRONZE BROWN
	R FERRARI RED	B SIMPLE BALL	R SATIN BRASS
	F FROST WHITE		S SATIN NICKEL
	G LIME GREEN		
	M MULTICOLOR		
	O ORANGE		
	A TAHOE PINE AMBER		
	W WHITE FRIT		



7401 North Hamlin
Skokie, Illinois 60076

P 847.410.4400

F 847.410.4500

www.2thousanddegrees.com



Specifications subject to change without notice.