

MAJORICA PENDANT



2 thousandTM
degrees
a brand of TECH Lighting

Aquamarine
Shown approx. 30% actual size.



Amber



Frost White



Green

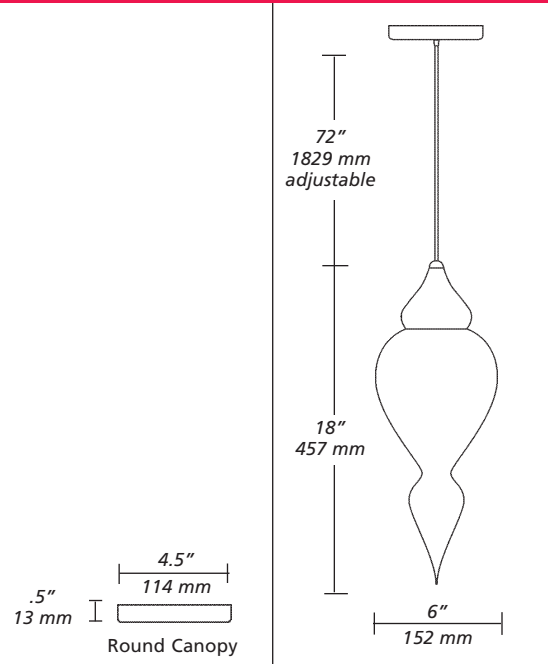


Ruby



Sari Blue

MAJORICA PENDANT



DESCRIPTION

Frosted glass shade with optic pattern and stylized shade holder suspended from a round canopy. Includes six feet of field cuttable clear stream™ cable.

COLOR

Amber (A), aquamarine (Q), frost white (W), green (G), red (R), sari blue (B)

CANOPY

Bronze brown (Z), satin brass (R), or satin nickel (S)
Satin nickel canopy option includes satin nickel shade holder; bronze brown includes bronze brown shade holder; satin brass includes satin brass shade holder.

LAMP

Includes Krypton, 120 volt, 60 watt T4 mini candelabra base-E11. Maximum lamp wattage that can be used with this fixture is 60 watts.

WEIGHT

2.30 lb./1.04 kg.

MODIFICATION OPTIONS AVAILABLE (call for custom quotation):

- Black or white cord
- Cord length as specified
- Custom finish as specified

700TDTMJ	COLOR	CANOPY
A	AMBER	Z BRONZE BROWN
Q	AQUAMARINE	R SATIN BRASS
W	FROST WHITE	S SATIN NICKEL
G	GREEN	
R	RUBY	
S	SARI BLUE	

2 thousand degrees™
d e g r e e s
a brand of **TECP** Lighting

7401 North Hamlin
Skokie, Illinois 60076

P 847.410.4400

F 847.410.4500

www.2thousanddegrees.com



Specifications subject to change without notice.