

Congratulations on the purchase of your new Wilshire LIGHT-LIFT. The LIGHT-LIFT is designed to save you time and money by providing vertical movement for your hard-to-reach light fixtures. This electronic system incorporates exclusive features that allow you to lower a light fixture for cleaning or service, then raise it back into place quickly, conveniently and safely to protect the value of your treasured possession.

When installing and operating this product, basic precautions should be followed. Please read these instructions **completely** prior to the installation of the LIGHT-LIFT. Proper installation is important to achieve operation and safety.

In some cases, your chandelier may be supplied with a 3/8" pipe rather than the standard 1/4" pipe. If your chandelier has a 3/8" pipe, use the 3/8" Pipe adapter enclosed.

Tools and Equipment Needed

- Flat head screwdriver
- Hammer
- 16D Common nails - 24 required
- 2"x4" - (1) 8ft. length
- Phillips head screwdriver
- (1) BX or Romex Connector
- Hand saw
- (1) 110V Power source for light
- (1) 110V Receptacle for lift

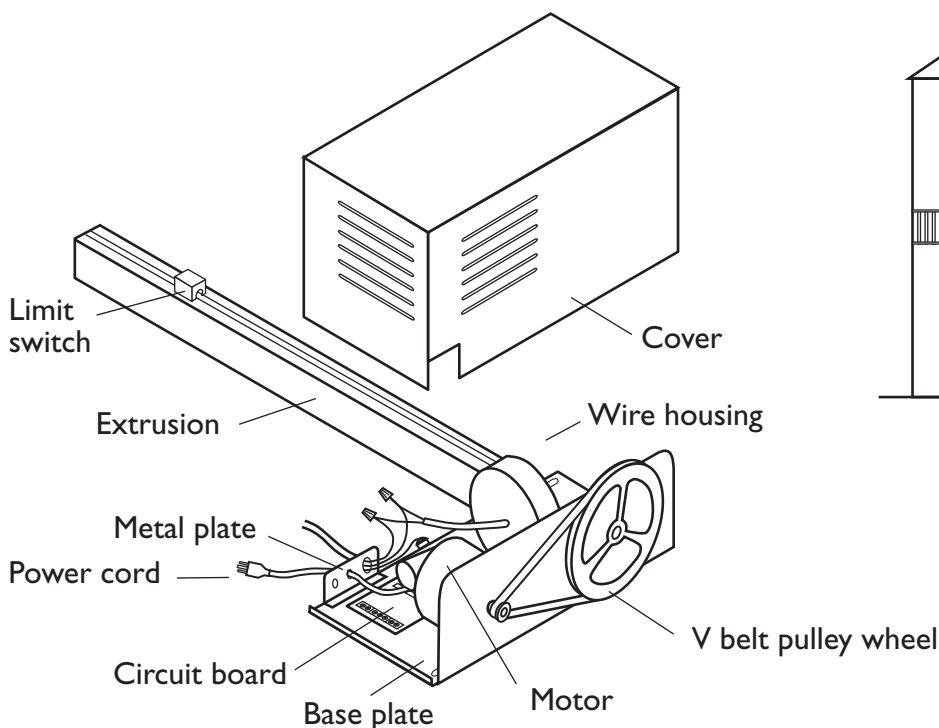
Items Provided by Wilshire

- LIGHT-LIFT
- Allen wrench
- Key switch
- Wood screws
- (3) Conductor bell wire (for Key switch – approximately 50 ft. for a 2 story building)
- 3/8" Pipe adapter (Only use if necessary; see adapter instructions.)

STEP 1

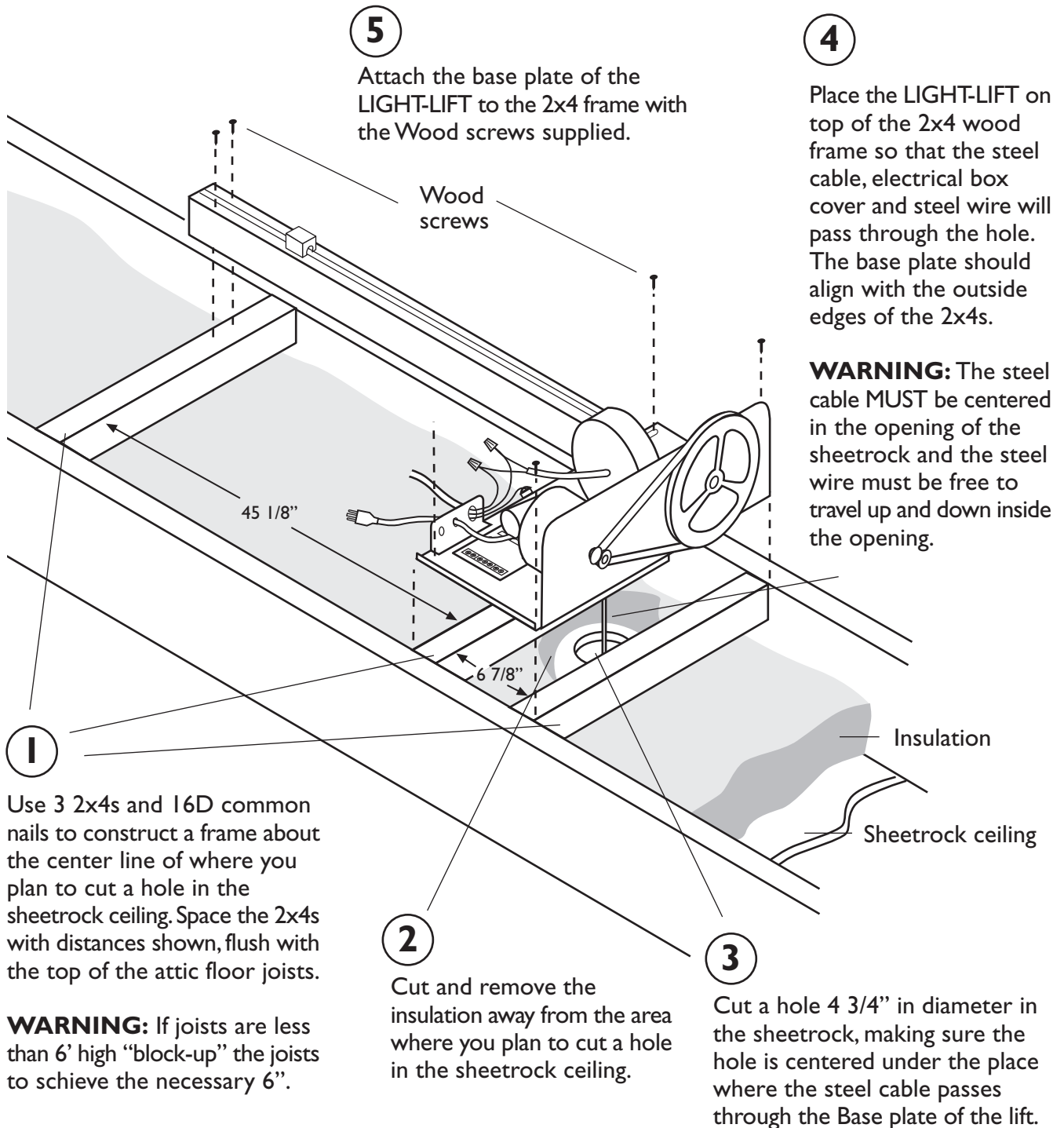
Unpack the LIGHT-LIFT and determine the proper installation location.

The LIGHT-LIFT must be installed horizontally in the attic floor joists and be located directly above the lighting fixture in order to work properly. The maximum lowering distance of the lighting fixture is 12 Ft.



STEP 2

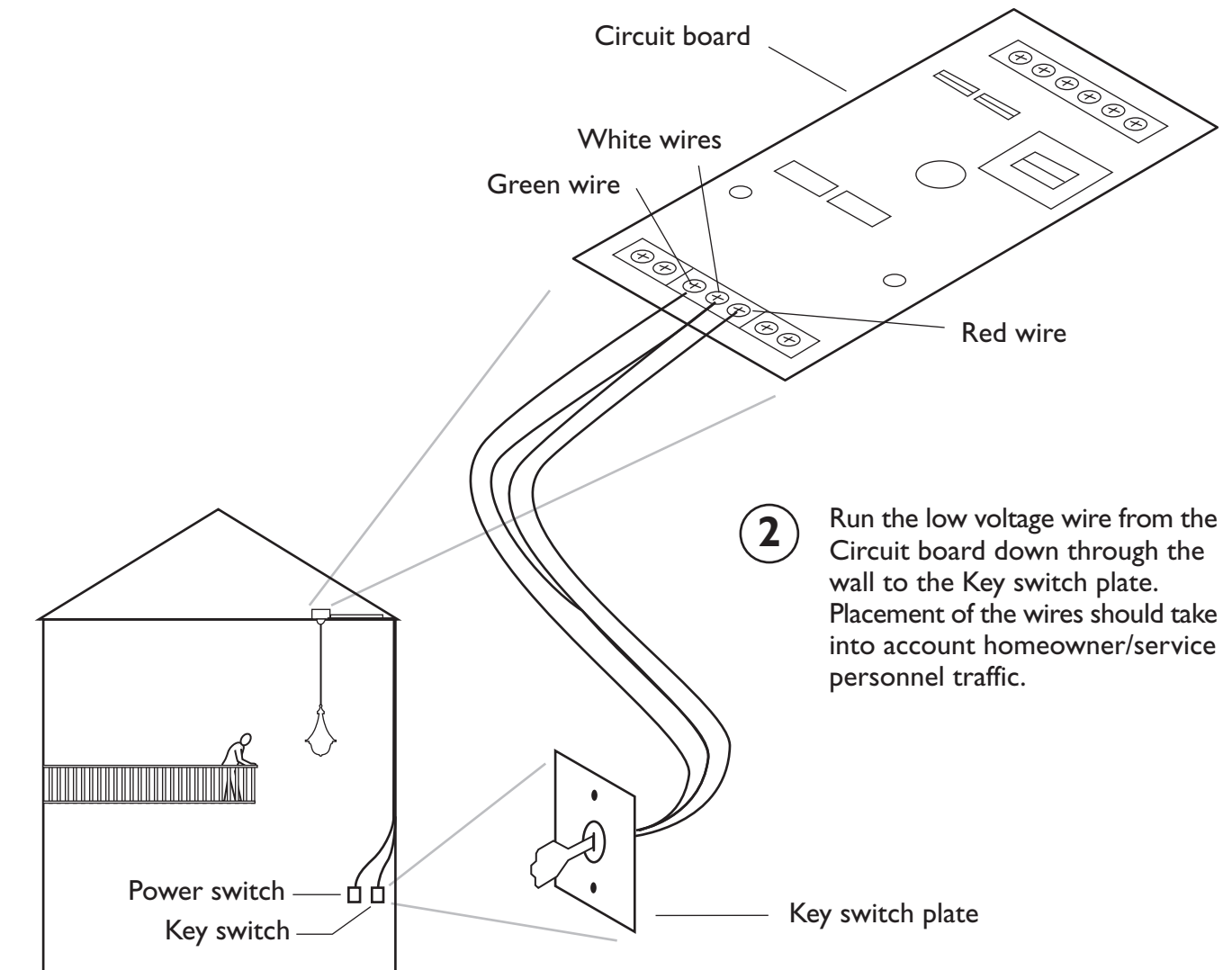
Construct a support frame and install the LIGHT-LIFT.



WARNING: A licensed electrician should perform all wiring and/or modifications. All wiring should conform to all local and state building and electrical codes.

STEP 3

Install the Key switch which raises and lowers the LIGHT-LIFT.



2 Run the low voltage wire from the Circuit board down through the wall to the Key switch plate. Placement of the wires should take into account homeowner/service personnel traffic.

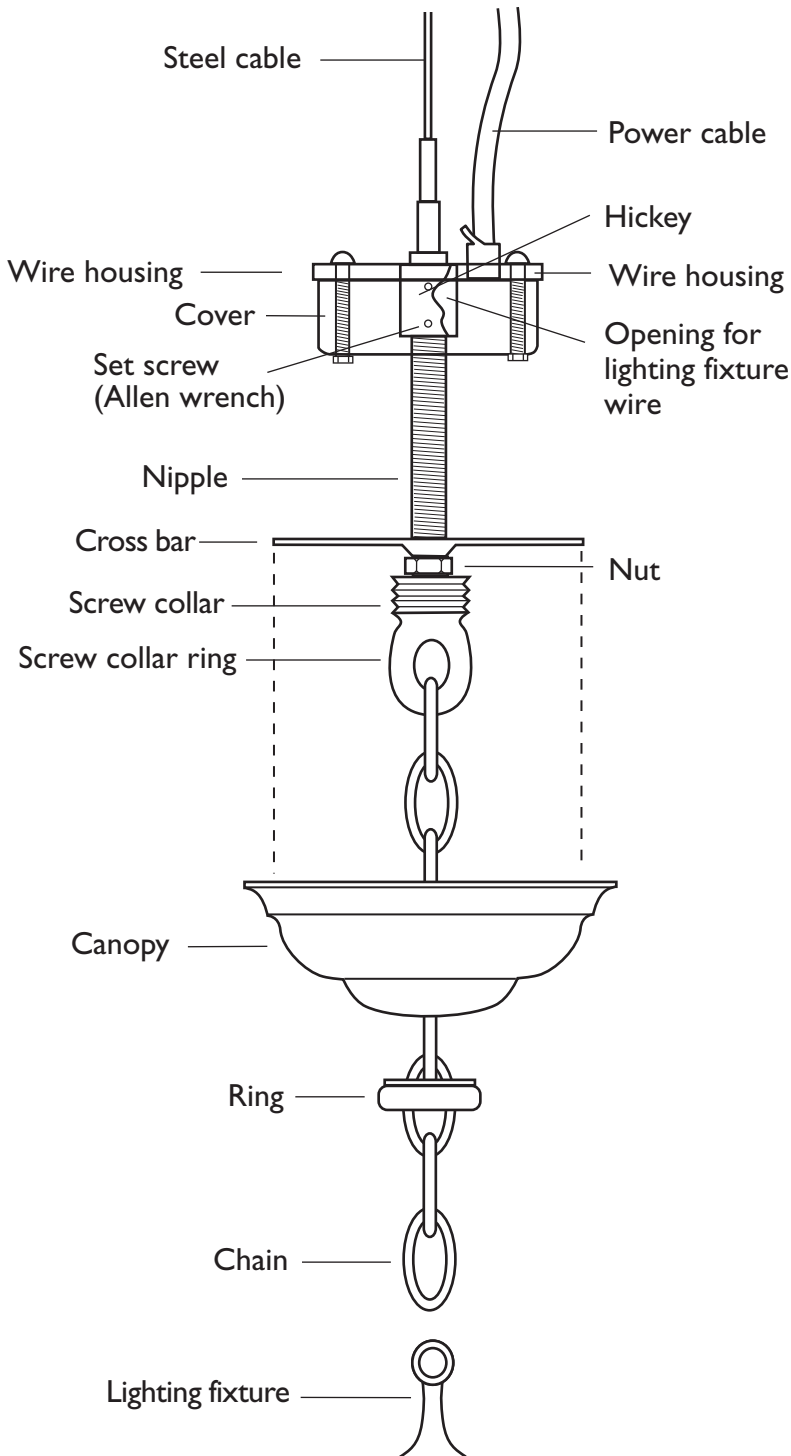
1 Use the Switch box as a template to cut an opening in the wall for the Key switch.

3 Screw the Switch plate into the wall with screws provided.

IMPORTANT: Locate the key switch in direct view of the lighting fixture. Always have the lighting fixture in full view when operating the LIGHT-LIFT.

STEP 4

Assemble and prepare the lighting fixture for wiring.

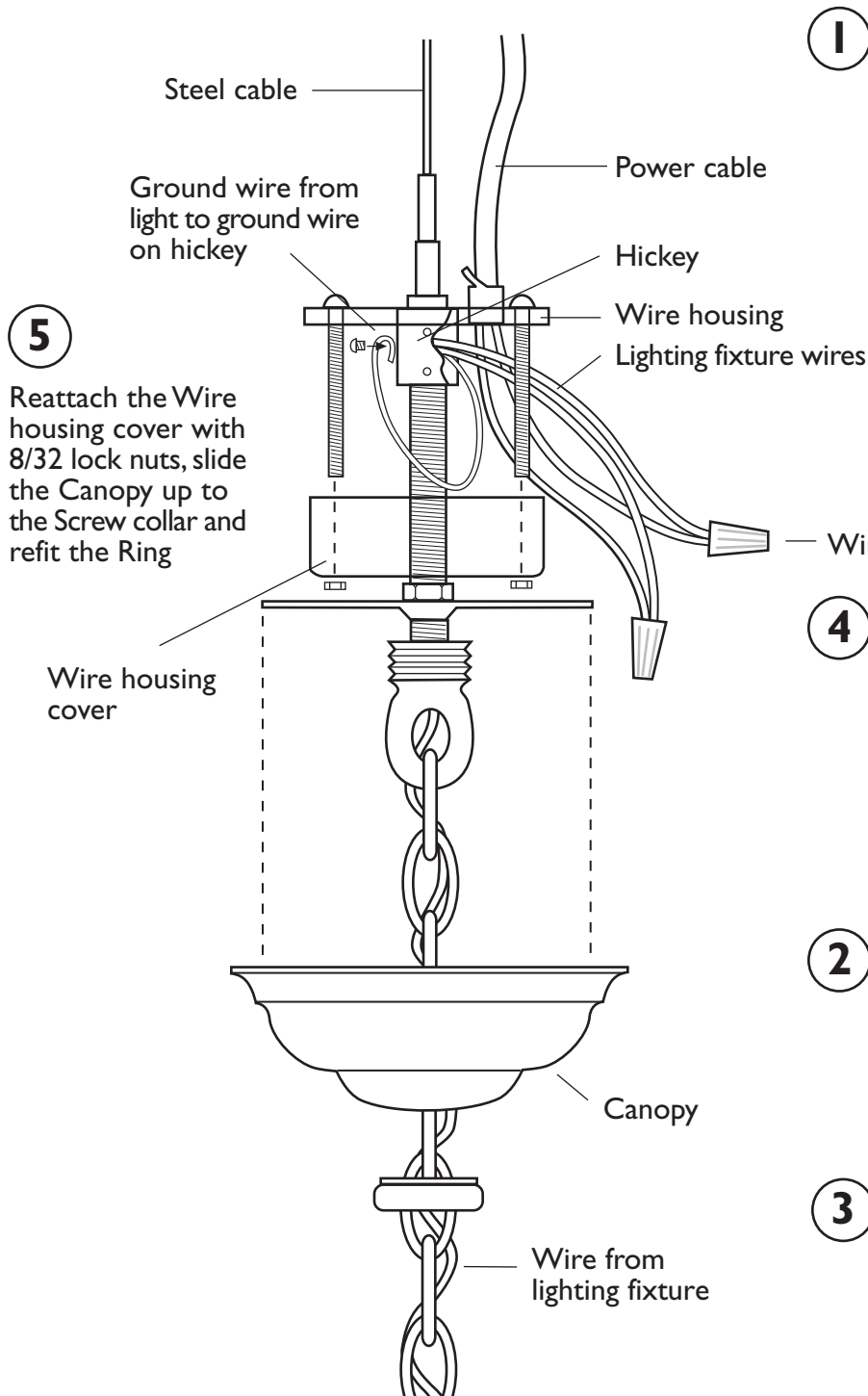


- 1 It is important to fasten the Nipple into the Screw collar and tighten.
- 2 Secure Nut onto Nipple and fasten to the top of the Screw collar.
- 3 Install Cross bar onto Nipple 3/4 of the way down. This will prevent the Canopy from moving.
- 4 Fasten the Screw collar assembly to the Hickey on the LIGHT-LIFT. Then remove the Cover above the Screw collar assembly and screw the Set screw into the Hickey with the Allen wrench supplied.
- 5 Reattach the Canopy to the Screw collar with the Ring.
- 6 Attach the Chain to the Screw collar.
- 7 Mount the Chain to the Lighting fixture.
- 8 Raise the light fixture (about 1 FT.), allowing it to rotate freely until it comes to a complete stop.
- 9 Once the lighting fixture has completely stopped, raise the lighting fixture to within about 3" from the ceiling. Make sure the height of the lighting fixture and the length of the Chain is decided upon before moving on to the next step.
- 10 Now that you've decided on the permanent height of the lighting fixture, lower the fixture down before going on to STEP 6.

Very important: Turn the electrical power off before proceeding to the next step.

STEP 5

Wiring the lighting fixture to the LIGHT-LIFT.



5

Reattach the Wire housing cover with 8/32 lock nuts, slide the Canopy up to the Screw collar and refit the Ring

1

It is **very important** that the Power cable is parallel to the Steel cable. If it's not, adjust the Wire housing cover on the Wire housing by rotating it. This **must** be done so that the Power cable will retract properly into the ceiling.

4

Attach the Lighting fixture wires to the Power cable wires. Reattach Wire nuts to wires.

2

For ease in wiring, remove the Screw collar ring, allowing the ring and canopy to slide down the Chain.

3

Feed the wire from the lighting fixture up through the Chain, through the Screw collar ring and out the side of the Hickey on the LIGHT-LIFT.

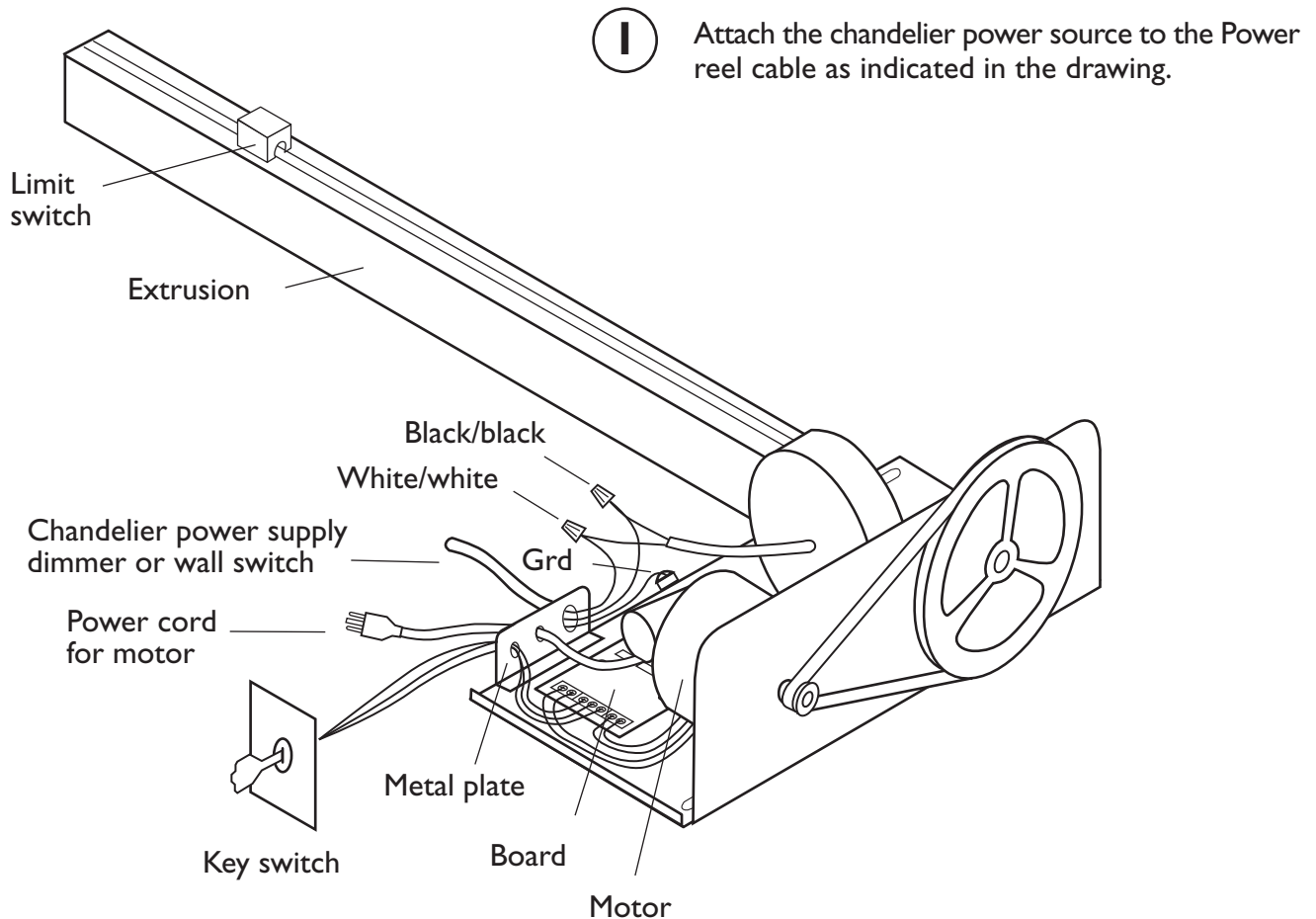
WARNINGS:

- The LIGHT-LIFT weight restriction is 200 Lbs. for Model No. L200 and 300 Lbs. for Model No. L300. If you are not sure of the weight of your lighting fixture, check with the supplier or the manufacturer.
- DO NOT operate the LIGHT-LIFT without weight on the steel cable. A minimum of 10 Lbs. is needed.
- The maximum travel distance of the light fixture is 12Ft.

STEP 6

Electrical wiring connections.

WARNING: Do not connect the LIGHT-LIFT to electrical power until instructed to do so. All power should be disconnected when installing the LIGHT-LIFT. Turn off power at the circuit breaker (or at the service disconnect switch if your local codes require one).



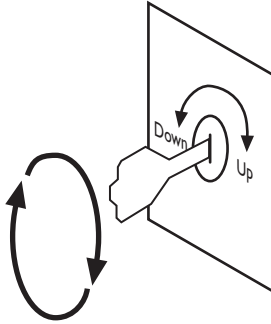
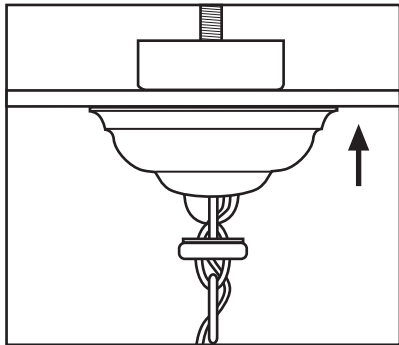
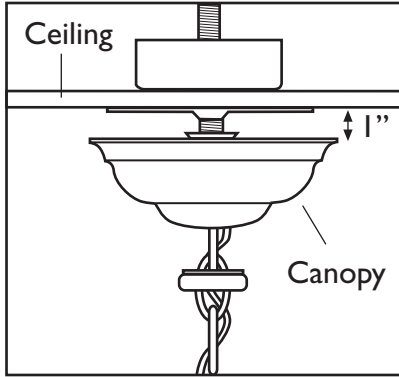
- 2 Once the chandelier's power source is attached to the reel, plug in the power cord attached to the lift into the 110V receptacle. This will provide power to the LIGHT-LIFT motor.

WARNING: A licensed electrician should perform all wiring and/or wiring modifications. All wiring should conform to all local and state building and electrical codes.

STEP 7

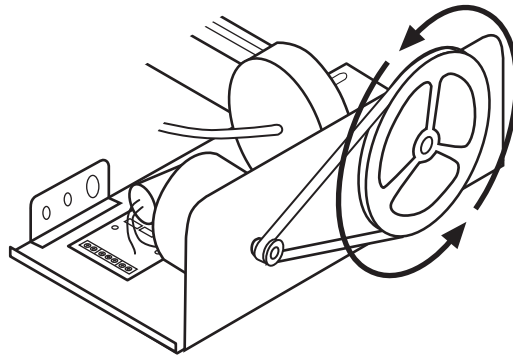
Set the Limit switch.

The height of each lighting fixture varies. Setting the Limit switch adjusts the LIGHT-LIFT to your fixture. This step sets the “Up limit” — the distance the light fixture will travel before butting the ceiling.



1

Turn the Key switch to lift the light fixture up to a raised position; stopping when the canopy is approximately 1" from the ceiling.



2

From the attic MANUALLY rotate the V belt pulley wheel in the direction shown to raise the canopy to the ceiling.

3

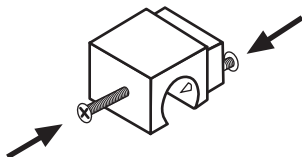
Loosen the 2 Set screws fixed in the Limit switch.

4

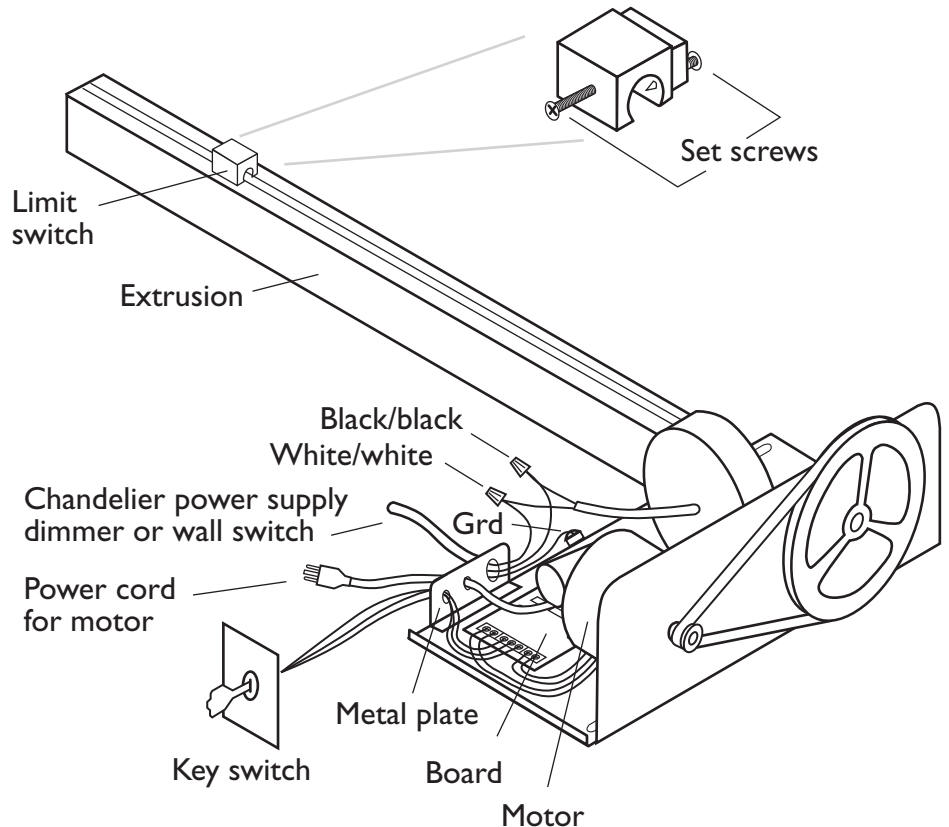
Manually slide the Limit switch along the Extrusion toward the Motor until both the red and green Led lights are lit.

5

Tighten the 2 Set screws on the Limit switch EQUALLY to ensure that the Limit switch remains level.



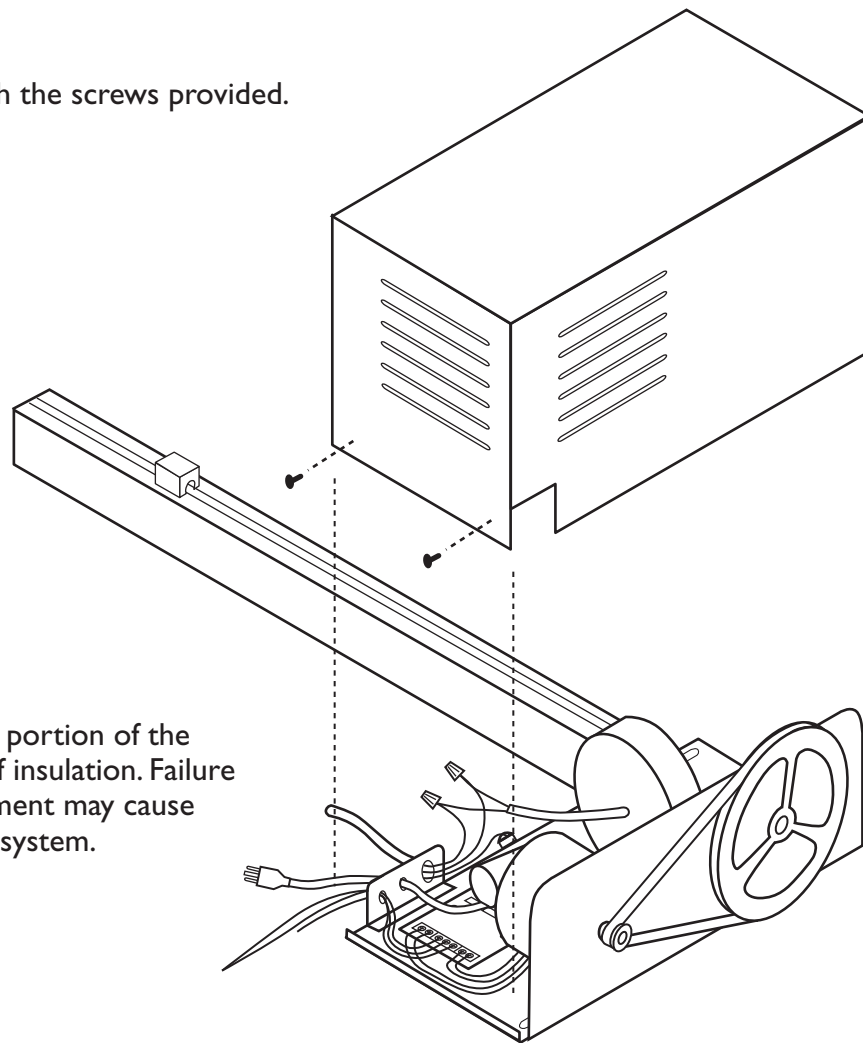
The “Up limit” is now set.



STEP 8

Attach the LIGHT-LIFT cover.

1 Attach the Cover with the screws provided.



WARNING:

DO NOT cover any part or portion of the LIGHT-LIFT with any type of insulation. Failure to comply with this requirement may cause damage to the internal gear system.

WARNINGS:

After the LIGHT-LIFT and lighting fixture are fully installed, do not cycle the lift more than twice per hour. Excessive use could result in damage to the LIGHT-LIFT.

The maximum lighting fixture wattage is 1320 watts.

DO NOT operate the Key switch unless the lighting fixture is in full view.

DO NOT allow children to operate the LIGHT-LIFT or play in the area of the lighting fixture or Key switch.

DO NOT leave the Key in the Key switch or where it is accessible to children.